



FEATURES

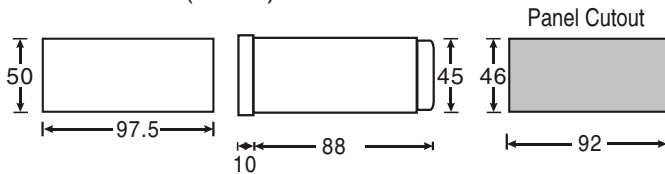
- Universal input : Accepts Sensor Inputs (Thermocouple or RTD), Current, Voltage, & mV.
- High Indication Accuracy: $\pm 0.25\%$.
- Sensor Error Compensation (offset) and Break Detection.
- 2 Alarm outputs.
- Status Indicators for outputs.
- 24 VDC Sensor Supply.
- Parameter Security Via Programmable Lockouts.
- 85 to 270 VAC/DC supply voltage (also available 24 VDC models - Consult factory).
- Compliance: CE, RoHS

PRODUCT CODE

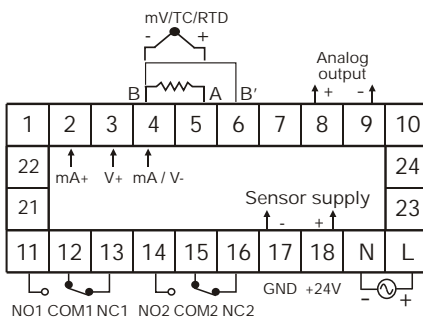
MODELS	RETRANSMISSION OUTPUT
PIC152-A	X
PIC152-B-1	0-20mA
PIC152-B-2	4-20mA
PIC152-B-3	0-5V
PIC152-B-4	0-10V

NOTE : For 24VDC models add suffix '- 24'

DIMENSIONS (in mm)



TERMINAL CONNECTIONS



SPECIFICATIONS

1. DISPLAY: 4-digit (7 segment LED) 0.5" high.
 Display Messages:
 "Or" - Appears when measurement exceeds range or open sensor is detected.
 "rE" - TC reverse.
 Display alternating between:
 PV & HA-AL No. for high alarm.
 PV & LA-AL No. for low alarm.
 LED Status Annunciators: Alarm ON (2nos) .
2. POWER:
 85 to 270 VAC/DC, 50 to 60 Hz, 5 VA max.
 Optional: 24 VDC (Consult Factory).
3. SETTINGS: Via three keys on front panel.
4. MEMORY: Nonvolatile EEPROM retains all programmable parameters and values.
5. MAIN SENSOR INPUT: (Universal)
 Temperature units : °C / °F.
 Resolution : Temperature: 1 / 0.1.
 Signal input: 0.001, 0.01, 0.1 & 1 decimal point selectable.
 Thermocouple inputs :
 J : -200 to 750°C.
 K : -200 to 1350°C.
 T : -200 to 400°C.
 R : 0 to 1750°C.
 S : 0 to 1750°C.
 RTD input (2 wire or 3 wire):
 PT100 : -100 to 850°C.
 Signal inputs:
 Voltage : 0 to 10 VDC.
 Current : 0 to 20 mA.
 mV(linear) : -5 to 56mV
6. INDICATION ACCURACY:
 0.25% of Span $\pm 1^\circ\text{C}$ (After 20min. Warmup)
7. SENSOR SUPPLY: 24 VDC to power the sensors.
8. CONTROL AND ALARM OUTPUTS
 Relay output : 5A @ 250VAC or 24VDC.
 Optional : 12VDC output to drive SSR.
9. OUTPUT: 2 nos.
 Alarm modes : Alarm High, Alarm Low, Band, Fail output & Fault diagnosis.
 Hysteresis : Programmable.
 Annunciator : Programmable.
 Reset Action : Programmable - automatic or latched.
 Standby Mode : Programmable - enable or disable.
10. LINEAR DC OUTPUT: (optional)
 Re-transmission : 0/4 to 20 mA or 0 to 5 V or 0 to 10 V.
 Update rate : 100msec.
11. ENVIRONMENTAL CONDITIONS:
 Operating Range : 0 to 50°C.
 Storage Range : -5 to 50°C.
 Humidity : 85% max.
12. CONNECTION: Wire clamping screw terminals.
13. WEIGHT: 342 grams